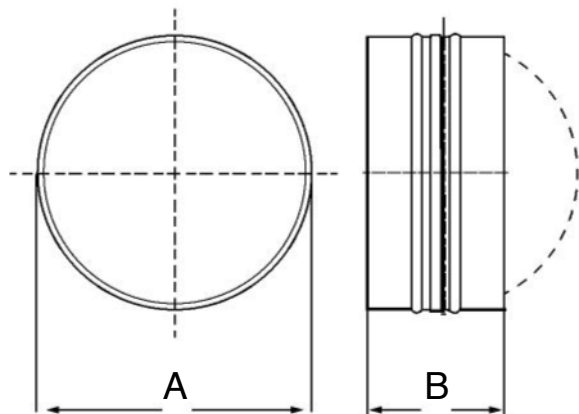


SUBMITTAL DATA

JOB NAME:
 LOCATION:
 CONTRACTOR:
 ENGINEER:
 ARCHITECT:

BDD — Round Backdraft Damper

Backdraft dampers are designed with galvanized steel collars and have lightweight aluminum damper blades. They are spring loaded for positive closure.



Dimensions in Inches

Model	A	B	Wgt. (lbs)
BDD-4	3 15/16	3 1/8	1
BDD-5	4 15/16	3 15/16	1
BDD-6	5 7/8	4 3/4	1
BDD-8	7 7/8	5 1/2	1
BDD-10	9 13/16	5 1/2	2
BDD-12	12 3/8	5 1/2	2
BDD-14	14	5 1/2	2
BDD-16	15 3/4	9 13/16	2

Description:

- PVC Foam Seal
- 27 Ga. Galvanized Collar
- 29 Ga. (0.011") Galvanized Aluminum Blade