

FX08 - FX11 | DIRECT DRIVE

Performance Data Overview

Fumex direct drive models are available with single and multi-speed motors. Multi-speed motors (eg. FX16V/S/R) are designated: V (1050 RPM), S (1300 RPM), and R (1550 RPM). FX18V is an exception, being a single speed motor. Q, Q2 (1725 RPM) and Q1 (1650 RPM) are single speed motors. A single Fumex fan may be made suitable for several requirements by a simple wiring change. This feature provides flexibility for a variety of areas, including energy savings, off hours requirements, future expansion, or unexpected field variations.

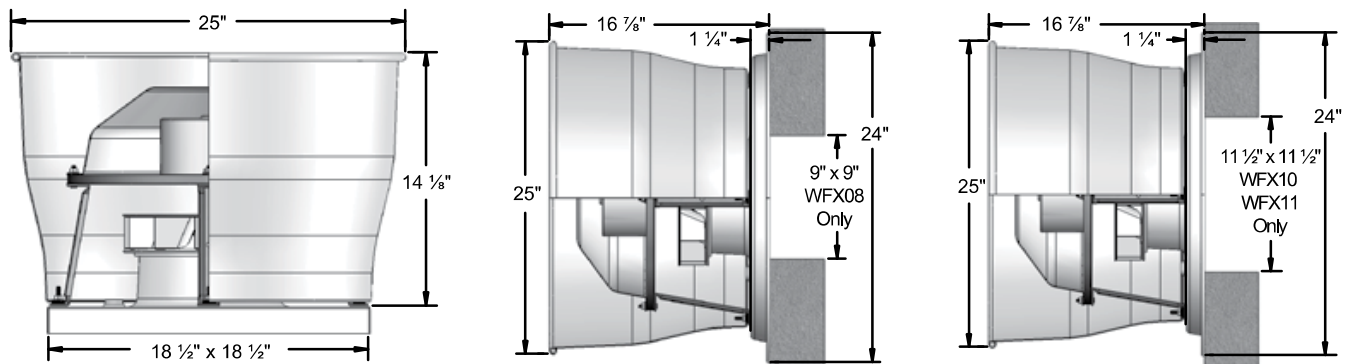
Fumex direct drive models are available in six sizes (8, 10, 11, 13, 16, and 18). Their capacities are up to 4,500 CFM, with static pressures to 1 1/2".

By using Lek-Trol™ variable speed controllers, the high speed flow rate of most models can be reduced by as much as 50%. Do not use Lek-Trol™ on medium or low speed for multi-speed models.

When compared to belt drive models, direct drive fans require less maintenance, have a simpler construction, cost less, and are lighter in weight.

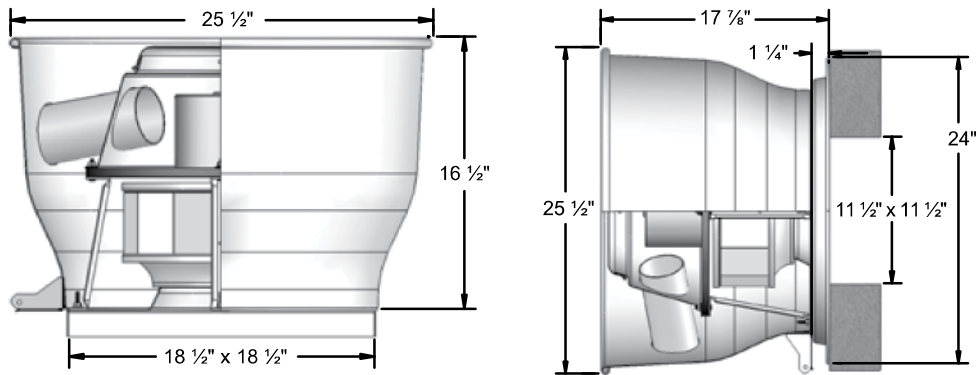
Performances in 50 Hz applications will be less than shown below; consult your local PennBarry representative.

FX08 - FX11



| Model | Nominal | | | Tip Speed FPM | 0.000" SP | | 0.125" SP | | 0.250" SP | | 0.375" SP | | 0.500" SP | | 0.625" SP | | 0.750" SP | | 1.000" SP | |
|-------|---------------------|------------------|------|---------------|-----------|-------|-----------|-------|-----------|-------|-----------|-------|-----------|-------|-----------|-------|-----------|-------|-----------|-------|
| | HP | Max Watts | RPM | | CFM | Sones | CFM | Sones | CFM | Sones | CFM | Sones | CFM | Sones | CFM | Sones | CFM | Sones | CFM | Sones |
| FX8S | 1-50 | 44 | 1300 | 3361 | 247 | 1.3 | 150 | 2 | 94 | 3.2 | 54 | 4.3 | - | - | - | - | - | - | - | - |
| FX8R | 1-30 | 55 | 1550 | 4007 | 288 | 2.4 | 205 | 2.9 | 154 | 3.5 | 112 | 4.4 | 72 | 5.2 | - | - | - | - | - | - |
| FX10V | 1/50 ⁽³⁾ | - ⁽³⁾ | 1050 | 2715 | 323 | 1.6 | 221 | 2.3 | 155 | 2.2 | 103 | 2.2 | 40 | 2.2 | - | - | - | - | - | - |
| FX10S | 1-25 | 85 | 1300 | 3361 | 400 | 3.5 | 309 | 3.8 | 246 | 4.1 | 194 | 4.6 | 152 | 5 | 109 | 5.5 | 57 | 6.1 | - | - |
| FX10R | 1-12 ⁽⁷⁾ | 122 | 1550 | 4007 | 570 | 6.2 | 500 | 6.6 | 440 | 6.8 | 385 | 6.8 | 325 | 6.8 | 251 | 6.9 | 170 | 7.1 | - | - |
| FX11V | 1-25 | 103 | 1050 | 3058 | 406 | 1.9 | 225 | 2.2 | 151 | 3.6 | 119 | 4.2 | 87 | 4.8 | 57 | 5.5 | - | - | - | - |
| FX11S | 1-11 | 142 | 1300 | 3786 | 534 | 3.9 | 417 | 4.2 | 337 | 5.1 | 273 | 5.9 | 223 | 6.2 | 177 | 6.5 | 129 | 6.9 | - | - |
| FX11R | 1-6 ⁽²⁾ | 199 | 1550 | 4514 | 760 | 7.6 | 667 | 7.4 | 586 | 7.6 | 512 | 7.9 | 434 | 8.9 | 359 | 9.6 | 283 | 9.6 | 118 | 9.7 |

Performance certified is for installation Type A: Free Inlet, Free Outlet. Speed (RPM) shown is nominal. Performance is based on actual speed of test. The sound ratings shown are for loudness values in fan sones at 5'0" (1.5m) in a hemispherical free field calculated per AMCA International Standard 301. Values shown are for Installation Type A: free inlet hemispherical sone levels. Performance ratings do not include the effects of appurtenances.



| Model | Nominal | | | Tip Speed FPM | 0.000" SP | | 0.125" SP | | 0.250" SP | | 0.375" SP | | 0.500" SP | | 0.625" SP | | 0.750" SP | | 1.000" SP | | 1.250" SP | |
|-------|---------|-----------|------|---------------|-----------|-------|-----------|-------|-----------|-------|-----------|-------|-----------|-------|-----------|-------|-----------|-------|-----------|-------|-----------|-------|
| | HP | Max Watts | RPM | | CFM | Sones | CFM | Sones | CFM | Sones | CFM | Sones | CFM | Sones | CFM | Sones | CFM | Sones | CFM | Sones | CFM | Sones |
| FX13V | 1/-20 | 113 | 1050 | 3221 | 640 | 4.2 | 469 | 2.8 | 317 | 2.4 | 250 | 3.1 | 197 | 3.8 | 149 | 4.5 | 106 | 5.2 | - | - | - | - |
| FX13S | 1/12 | 148 | 1300 | 3988 | 845 | 7.4 | 735 | 6.4 | 612 | 5.2 | 492 | 5 | 404 | 5.3 | 334 | 5.7 | 270 | 6.1 | 136 | 7 | - | - |
| FX13R | 1/6 | 188 | 1550 | 4755 | 1057 | 10.5 | 980 | 10.1 | 908 | 9.6 | 825 | 8.6 | 733 | 8.1 | 646 | 8.1 | 561 | 8.2 | 376 | 8.2 | 144 | 8.5 |

Performance certified is for installation Type A: Free Inlet, Free Outlet. Speed (RPM) shown is nominal. Performance is based on actual speed of test. The sound ratings shown are for loudness values in fan sones at 5'0" (1.5m) in a hemispherical free field calculated per AMCA International Standard 301. Values shown are for Installation Type A: free inlet hemispherical sone levels. Performance ratings do not include the effects of appurtenances.