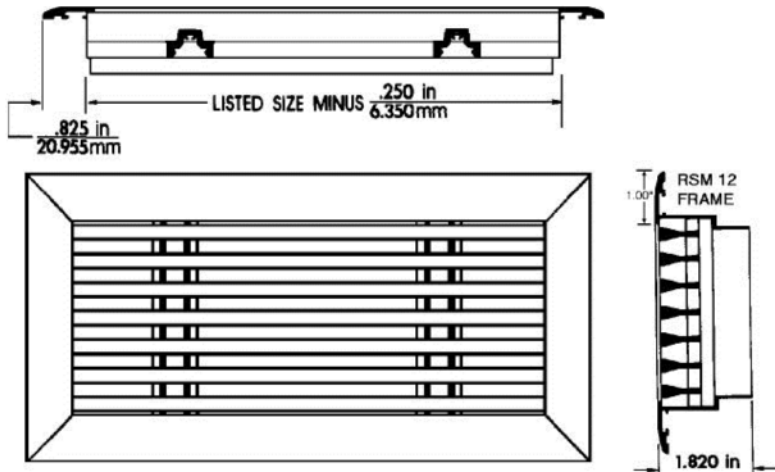


SUBMITTAL DATA

JOB NAME:
 LOCATION:
 CONTRACTOR:
 ENGINEER:
 ARCHITECT:

ARCHITECTURAL LINEAR BAR GRILLES

Model LFD



APPLICATIONS:

Utilized in cabinets of various styles over and around Radiators, Convectors and Terminal A/C Units. Optional Hinged Doors allow access to controls and valves. Immediately available in Stock-line sizes. Custom sizes available on special order.

MATERIALS and FINISH:

Manufactured of Extruded Aluminum 6063-T5 Alloy. Standard Finish is clear anodized.

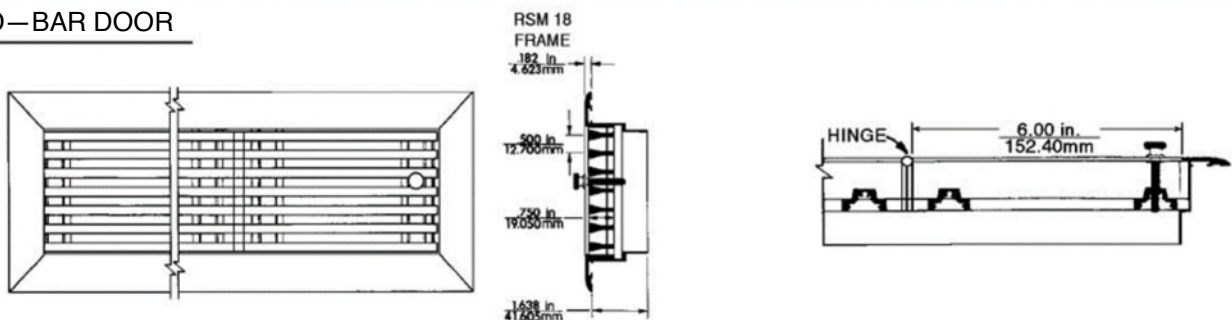
METHOD OF MEASUREMENT:

Specify Cut-out dimensions. Grille body is undersized to fit field opening.

		Linear Stock Sizes								
		LENGTH								
WIDTH		18"	24"	30"	36"	42"	48"	60"	72"	
	4"	1	1-2	1-2	1-2	1-2	1-2	1-2	1-2	1
	6"	1	1-2	1-2	1-2	1-2	1-2	1-2	1-2	1
	8"	1	1	1	1	1	1	1	1	1
1= LFD 2= LFDBD										

ITEM/s:

LFDBD—BAR DOOR



BUSH
 WHOLESALERS

TEL (718) 624-5900 FAX (718) 624-2505

637 SACKETT ST. BROOKLYN NY 11217

www.bushsales.net

